

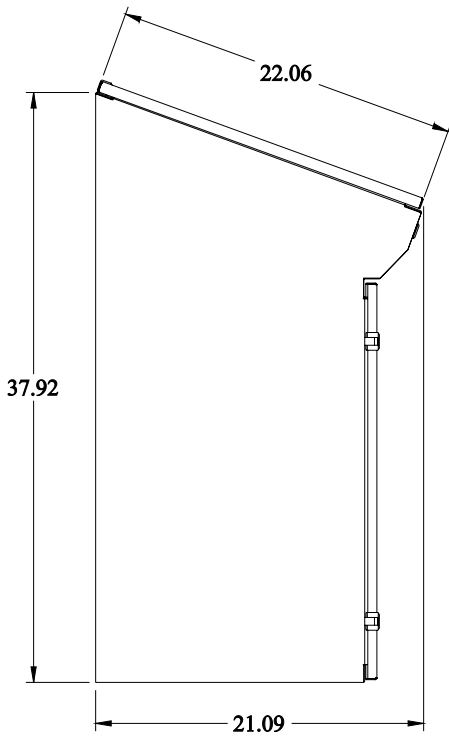


**PART No. 2CLC2024**

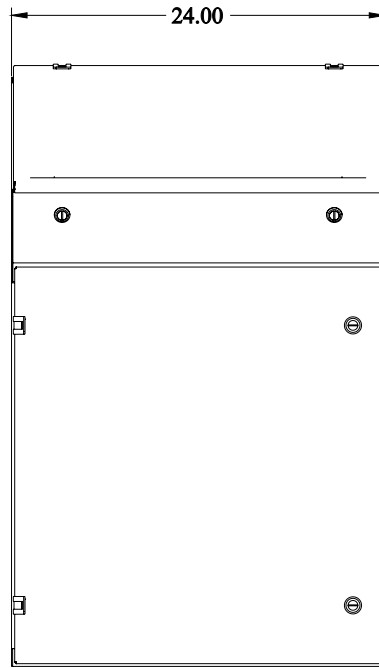
for more information visit  
[www.hammfg.com](http://www.hammfg.com)

Data subject to change without notice

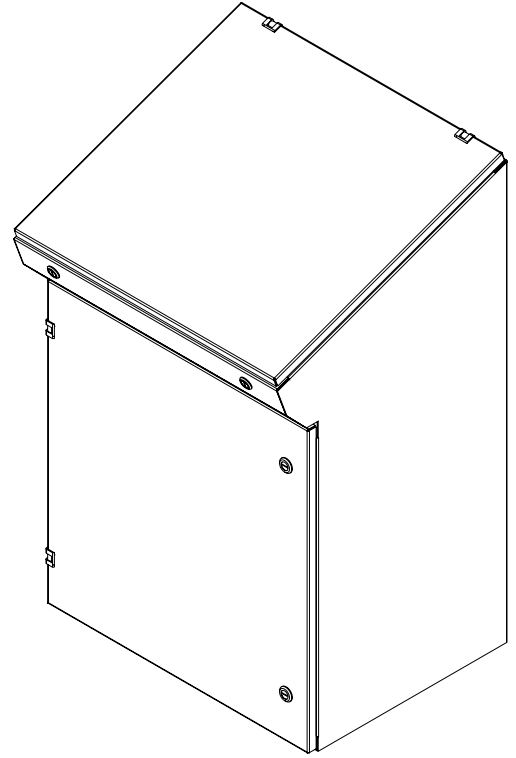
Isometric drawing Not to Scale



**LEFT SIDE VIEW**



**FRONT VIEW**



**ISOMETRIC VIEW**